



Pony Testing International Group

报告编号(Report ID): I08233103321D

锂电池跌落测试报告

Lithium Battery Drop Test Report

Sample Description
& Model

Lithium ion polymer battery Sunb502035

Applicant

SHENZHEN SUNBANG-POWER
TECHNOLOGY CO.,LTD

Manufacturer

SHENZHEN SUNBANG-POWER
TECHNOLOGY CO.,LTD

P O N Y 谱尼测试
Pony Testing International Group
www.ponytest.com

No.: I08233103321D

Code: w4vsp84



Pony Testing International Group

Report ID: I08233103321D Page 1 of 3

I. SAMPLE DESCRIPTION

Sample Description	Lithium ion polymer battery	Sample Model	Sunb502035
Applicant	SHENZHEN SUNBANG-POWER TECHNOLOGY CO.,LTD		
Manufacturer	SHENZHEN SUNBANG-POWER TECHNOLOGY CO.,LTD		
Nominal Voltage	3.7V	Rated Capacity	300mAh
Outer package	Carton	Inner package	PET Plastic tray
Dimensions	25×30×45cm	Cushion	Foam
Gross weight	9kg	Battery number	1200Pcs/packing
Entrush date	2014-08-23	Finished date	2014-09-16
Packaging type	Package including lithium batteries.		

II. REFERENCE METHOD

《Recommendations On The Transport Of Dangerous Goods-Model Regulations》
(ST/SG/AC.10/1/Rev.18th)

III. TEST ITEM

1.2m Drop test
Gross Weight Measure

IV. CONCLUSION

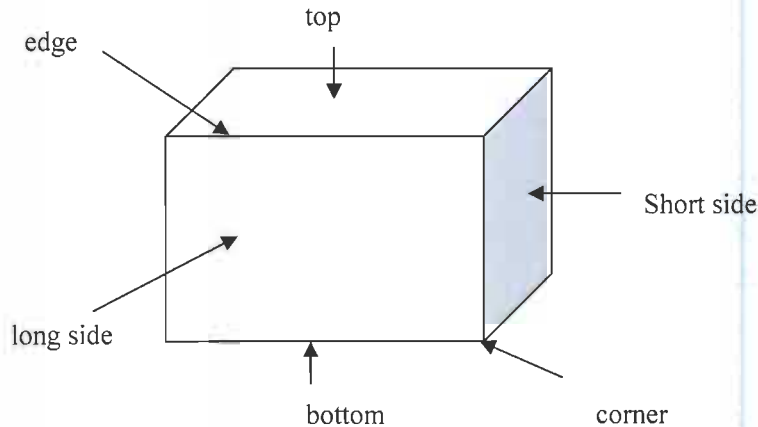
This package is capable of withstanding a 1.2m drop test in any orientation without damage to cells or batteries contained therein, without shifting of the contents so as to allow battery to battery contact and without release of contents. The weight of the package is 9kg gross mass.

Edited by: *Ye Pei Ting* Checked by: *Cheng peng* Approved by: *Liyou*

Issue Date: September 16, 2014

V. TEST METHOD

《Recommendations On The Transport Of Dangerous Goods-Model Regulations》(18th) Special Provision 188 of Chapter 3.3.



VI. TEST APPARATUS

IE-0279 Drop test system

IE-0178 BALANCE

VII. TEST ENVIRONMENT CONDITION

Ambient temperature: 20~25 (°C)

Ambient humidity: 50~60 (%)

VIII. TEST DATA

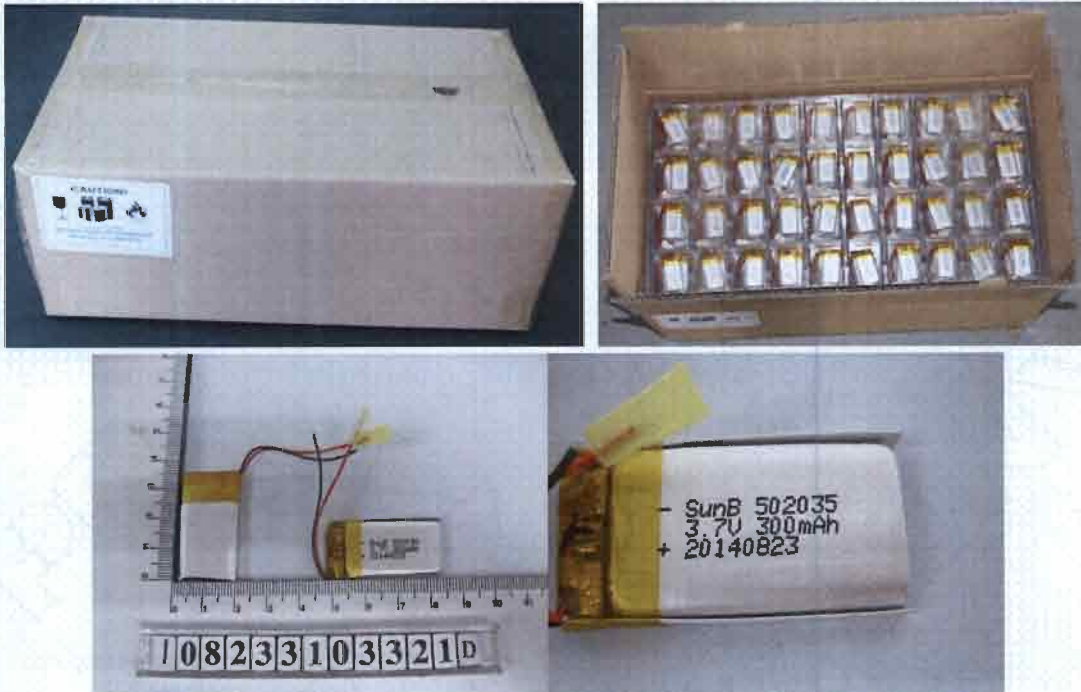
1.2m Drop test	Side	Edge	Angle
Test Result	a. Without damage to cells or batteries contained therein; b. Without shifting of the contents so as to allow battery to battery (or cell to cell) contact; c. Without release of contents.		
Conclusion	The test package is capable of withstanding a 1.2m drop test in any orientation.		



Pony Testing International Group

Test Item	Gross Weight Measure
Test Result	9kg
Conclusion	Passed

IX. SAMPLE PHOTO



Authenticate the photo on original report only

*** End of report ***